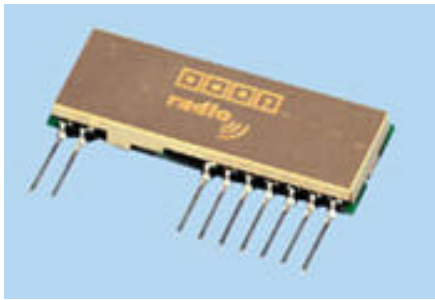


ER400RS-PEN Pendant Receiver



Features:

- FM Receiver
- -100dB Receiver Sensitivity
- Receive Signal Strength Indicator (RSSI)
- 7 possible functions

Description:

The ER400RS-PEN receivers are designed to learn/receive & decode the ER400PEN pendant styled transmitter. Up to 6 transmitters can be learned via a simple procedure.

Three pins correspond to the 3 possible actions from the ER400PEN making a total of 7 variations. When one or more button is pressed, the matching outputs will stay high for the same duration.

Connection:

The following diagram shows a simple circuit to use the module:

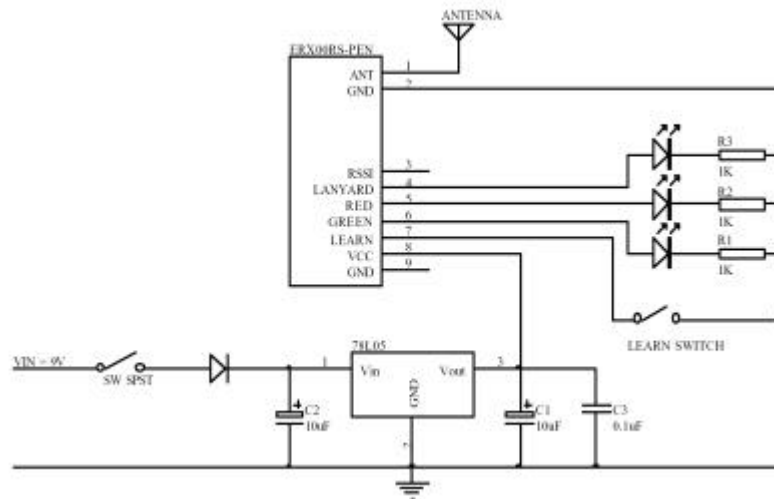


Fig 1

Note: Pin 7 has internal pull-up so does not require a pull-up resistor.

Learn Procedure:

- 1) With module powered up, connect pin 7 (LEARN) to a ground. Pin 4 (Lanyard) will set high.
- 2) Press the first ER400PEN Pin 4 will pulse low-high. *
- 3) Repeat 2) for up to 5 more ER400PEN's (6 in total).
- 4) Disconnect pin 7 from ground. Pin 4 will set low.

* The first transmitter will remove all other transmitters from the memory.



ER400RS-PEN Pendant Receiver

Technical Specification

Operating Voltage:	3.6 – 5.5V
Maximum output drive – sink / source (pins 4,5,6):	25mA
ER400RS-PEN Frequency	433.92MHz



For further information or technical assistance please contact:

Low Power Radio Solutions Ltd

Two Rivers Industrial Estate
Station Lane
Witney
Oxon
OX28 4BH
England



Web: <http://www.lprs.co.uk>
Email: info@lprs.co.uk
Web: <http://www.easy-radio.co.uk>

Tel: +44 (0)1993 709418
Fax: +44 (0)1993 708575

The above address is a dedicated web site for Easy-Radio