

Product image for illustration Purposes only

The easyRadio eRIC-LoRa (Long Range) RF transceiver module uses Chirped Spread Spectrum (CSS) modulation together with DSP (Digital Signal Processing) to achieve greater range than traditional devices using OOK, FSK or GFSK modulation.

In addition, sensitivity and blocking performance are improved giving high interference immunity whilst still offering low power consumption.

The module is a complete sub-system that combines a high performance low power RF transceiver, a microcontroller and a voltage regulator.

Key operating parameters can be changed and configured by sending simple 'text' (ASCII character) commands to the module.

Features

- Chirped Spread Spectrum technology
- Pin compatible with eRIC series RF modules
- U.FL RF connector for remote antennas
- Multipoint communication
- Half duplex transparent Serial Data Input and Output
- Up to 180 bytes per packet
- Familiar easyRadio commands
- Built in temperature sensor
- 'Flash' firmware upgrades. New features and updates can be quickly programmed using LPRS tools

Key Parameters

- Frequency Range: 860 – 1000MHz (Firmware dependant)
- Frequency Bands: EU/USA (Enquire for Rest of World)
- Receiver sensitivity: down to -137dBm
- Multi-channel operation
- RF Power output: up to +20dBm (100mW)
- Receive current consumption: 15mA
- RSSI dynamic range: 127dB
- Line of Sight (LoS) range – Up to 10km+ (Depending on environment)

User Programmable Options:

- Spreading factors 6 to 12
- Selectable Bandwidth: 125, 250, 500kHz
- Over air bit rates of up to 300 kbps offer effective 37.5 kbps data rate
- Host Data Rate: 2.4kbps – 115.2kbps

The variable spreading factor in combination with bandwidth provide a balance between sensitivity (range) and data rate.

Applications

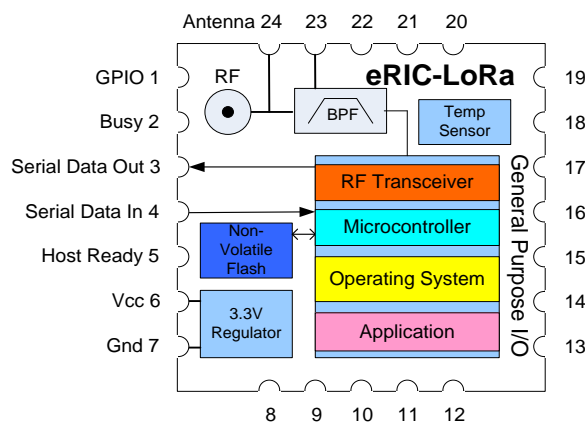
- Required range is above 1km or transceiver is in poor RF location
- Suburban security alarms - void buildings, caravan or car storage sites, warehouses
- Rural security, farm buildings/equipment, livestock monitoring, remote irrigation pumps
- Data collection and monitoring over a wide area

eRIC-LoRa Transceiver

The easyRadio eRIC-LoRa RF transceiver module is a complete sub-system that combines a high performance low power RF transceiver, a microcontroller and a voltage regulator.

The Serial Data Input (SDI) and Serial Data Output (SDO) by default operate at the standard 19,200 Baud and two handshake lines provide optional flow control to and from the host. The easyRadio Transceiver can accept and transmit up to 180 bytes of data, which it buffers internally before transmitting in an efficient over-air code format.

Any other eRIC-LoRa transceiver, within range and on the same settings, that 'hears' the transmission will decode the message and place the recovered data within a receive buffer that can then be downloaded to the receiving host for processing and interpretation. Radio transmission and reception is bi-directional (half duplex) i.e. transmit OR receive but not simultaneously. Extra internal buffers however, allow the user to upload data while a download is in progress giving the appearance of fully duplex data flow.



Pin/Pad Description

Pad No	Name	Description	Notes
1	GPIO	General Purpose Digital I/O	Reserved for future use and customisation
2	Busy	Clear to Send (CTS) function Digital output	Indicates that transceiver is ready to receive serial data from the Host. Low – Transceiver Ready, High – Transceiver not Ready
3	SDO	Rx Serial Data Out (Default)	Digital output - Connect to Host serial input
4	SDI	Tx Serial Data In (Default)	Digital input - Connect to Host serial output
5	Host Ready	Request to Send (RTS) function Digital input	Used to indicate that Host is ready to receive serial data from the Transceiver Low – Host Ready, High – Host Not Ready Wake up from Sleep Command (firmware dependant)
6	Vcc	Operating Supply Voltage	Internal 3.3V regulator operates from +2.4V to +6V Input.
7	Gnd	Power Ground	0V Ground
8 - 13	SX1272 IO 0 -5	SX1272 Digital IO Pins DIO-0 to DIO-5	Do not connect unless monitoring the SX1272 RFIC
14,15,16,18,19,20,21	Reserved		Reserved for future use and customisation
17	Sleep	Sleep Enable pin	Must be enabled in software: ER_CMD#a51 Set pin High to Sleep and set pin Low to re-enable the transceiver. From Firmware Version 4.1.16+
22	Reserved		VPP Programming Pin for PIC18F25K20 MCU
23	RF Gnd	RF Ground – 0V	Connect to antenna ground and local ground plane. Internally connected to Power Ground 0V
24	RF	50Ω RF Input/Output	Connect to suitable antenna via 50Ω PCB trace or use the alternative UFL connector

Notes

3.3V Regulator will continue to function (no regulation) below drop out voltage. Internal RF IC can operate down to 2.4V and still provide rated RF power output.

Pins/Pads 1-7 are physically (Pin/pad sequence) and electrically compatible with easyRadio eRA400/900 Transceivers. See drawing below.

Mechanical

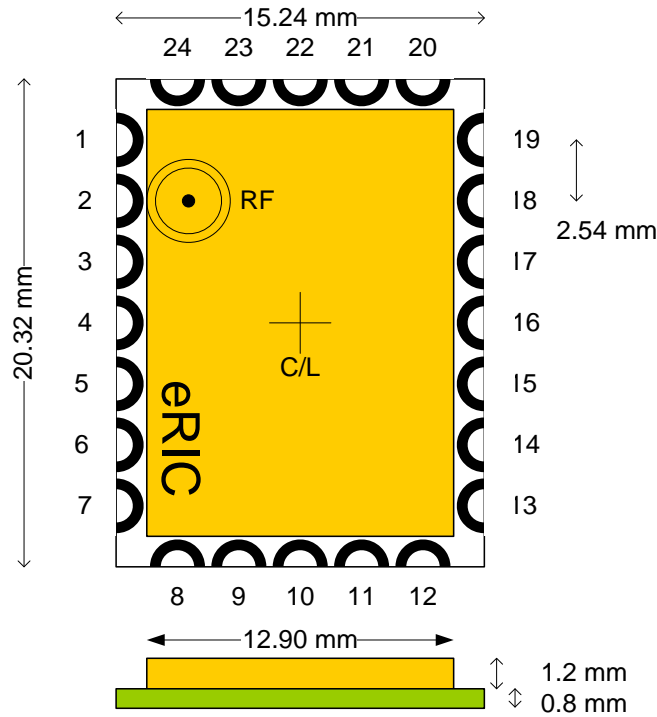


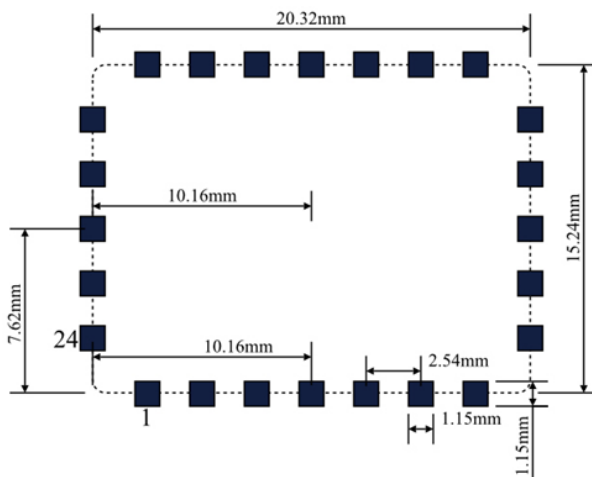
Figure 1 Mechanical Drawing

PCB Layout Notes

Pitch of the castellated connection pads is 2.54mm. Pads 4 & 16 and 10 & 22 are on centre line (C/L) of module

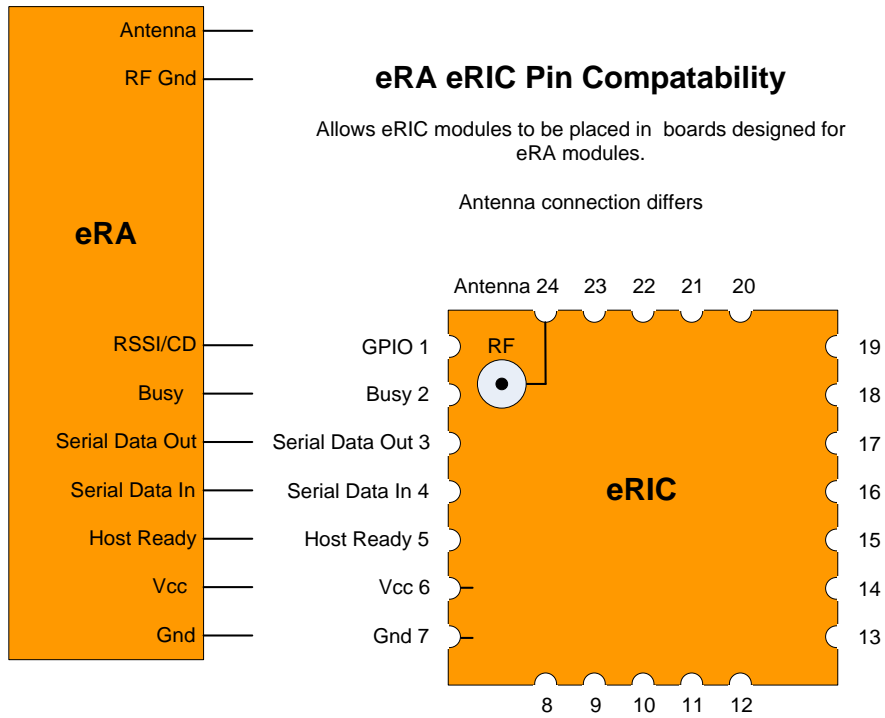
It is recommended that the module is mounted on a double-sided PCB and that the area below the module be flooded with additional copper ground plane if possible. This should be connected to pad 23 (RF Ground) and pad 7 (Power Ground).

The recommended pad layout is shown below. Pads should be solid with no hole.



eRIC modules have been designed for reflow soldering but should only be subjected to this process once. Multiple passes may cause permanent internal component damage.

Please contact LPRS Technical Department for further details and the suggested thermal profiles.



Absolute Maximum Ratings

Operating Temperature Range	-40° C to +85° C
Storage Temperature Range	-40° C to +85° C
Vcc	- 0.3 to + 6.0 Volts
All Other Pins (N.B.)	- 0.3 to +3.3 Volts
Antenna	+10dBm (As specified in SX1272 Data Sheet)

Performance Data: eRIC-LoRa. Supply +5.0 Volt ± 5%, Temperature 20° C

DC Parameters	Pin	Min	Typical	Max	Units	Notes
Supply Voltage (Vcc)	6	2.5	3.3-5.0	6.0	Volts	
Transmit supply current	6	18	90	125	mA	40mA at +10dBm 90mA at +17dBm 125 mA at +20dBm (Max 1% Duty Cycle)
Receive supply current	6		16		mA	*2
Interface Levels						
Data Output Logic 1		2.2	3.1	3.1	Volts	10k load to +Vcc supply
Data Output Logic 0			0.1		Volts	10k load to +Vcc supply
Logic Output Current				25	mA	
Data Input Logic 1		2.0		3.6	Volts	*1
Data Input Logic 0				0.2	Volts	
Input Pull-ups			100		KΩ	*1
RF Parameters						
Antenna Impedance	24		50		Ohms	
Frequency Range		860	-	1000	MHz	Please refer to local ISM licence free radio regulations.. See ER Frequency commands
Frequency Region	EU	868	869.85	870	MHz	See ER Configuration commands
	USA	902	903	928	MHz	
RF Power Output	24		+7	+20	dBm	868MHz - 50Ω load *4
	24		+17	+20	dBm	915MHz - 50Ω load *4
Frequency accuracy			±10		ppm	Overall
Harmonics/Spurious Emissions			-47	< -36	dBm	Meets EN 300 220-3
Over Air Bit Rate				300	Kbps	(Not the effective Data Rate)
Receiver						
Sensitivity		SF6		SF12		
		-122		-137	dBm	At 125kHz bandwidth (SF 6 - 12)
		-119		-134	dBm	At 250kHz bandwidth
Serial Data Rate		-116		-131	dBm	At 500kHz bandwidth
		2.4	19.2	115.2	Kbps	Host interface
Logic Timing						
Initial Power Up Time			1		mS	*2,3
Mechanical						
Size			15 x 20 x 2.2		mm	
Pin Pitch			2.54		mm	(Standard 0.1 Inches)
Weight			1.5		grams	

Notes * :

1. The 'Host Ready Input' and the 'Serial Data Input' have 'weak' internal pull-ups enabled.
2. The transceiver will then be ready to receive (default) or transmit. It would normally be left in this powered state ready to receive data.
3. During power-up the 'Busy' Output line initially goes high and then goes low when ready for use.
4. Typical values show restricted with 'Worldwide settings' applied.

Notes

The module operates internally from the output of an on-board 3.3 Volt low drop regulator. This regulator will still provide an (unregulated) output below its drop out voltage, down to the minimum operating voltage (1.8V) of the RF IC which at 2.4V allows up to +20dBm RF output.

The logic levels of the input/output pins are therefore between 0 Volt and the actual output voltage of the internal regulator. Outputs will drive external logic operating at 3.3 Volts. Resistors (1k typical) should be fitted in series with input data lines when interfacing to external logic outputs greater than 3.3Volts or greater than the external supply to prevent driving excess current into inputs and thus damaging them.

The serial inputs and outputs are intended for connection to a UART or similar low voltage logic device. Do not connect any of the inputs or outputs directly to an RS232 port. The transceiver module may be permanently damaged by the voltages (+/- 12V) present on RS232 signal lines.

When Handshaking is enabled the 'Host Ready' Input should be held at 0 Volt (Ground) in order to receive data packets via the UART.

On power up the transceiver is, by default configured to receive data.

Power Supply

The supply used to power the transceiver should be 'clean' and free from ripple and noise (<20mV p-p total). It is suggested that 100nF ceramic capacitors be used to de-couple the supply close to the power pins of the transceiver. The use of 'switch mode' power supplies should generally be avoided as they can generate both conducted and radiated high frequency noise that can be very difficult to eliminate. This noise may considerably reduce the performance of any radio device that is connected or adjacent to such a supply.

Antennas

The eRIC-LoRa transceiver can be used with the various common types of antenna that match the 50Ω RF Input/Output such as a monopole (whip), a tuned helical antenna, a PCB loop antenna or a ceramic 'chip' antenna.

Monopole antennas are resonant with a length corresponding to one quarter of the electrical wavelength ($\lambda/4$). They are very easy to implement and can simply be a 'piece of wire' or PCB track which at 868MHz should be approximately 8.6cm in length. This should be kept straight, in 'free space' and well away from all other circuitry, conducting objects and metalwork and should preferably be connected directly to the Antenna pin (24) of the transceiver.

If the antenna needs to be remote it should be connected via a 50Ω coaxial feeder cable or transmission line. A 50Ω transmission line can be constructed on FR4 board material by using a 3mm wide PCB track over a ground plane and this should be kept as short as possible.

The eRIC transceiver is also fitted with UFL (U.FL) RF Connector wired in parallel with pin 23 (RF Gnd) and pin 24 (RF In/Out). LPRS can supply suitable antennas fitted with matching connectors and low loss cable assemblies.

Helical antennas are also resonant and generally chosen for their more compact dimensions. They are more difficult to optimise than monopole antennas and are critical with regard to any surrounding conducting objects that can easily 'de-tune' them. They operate most efficiently when there is a substantial ground plane for them to radiate against.

PCB loop antennas are the most compact antennas but are less effective than the other types. They are also more difficult to design and must be carefully 'tuned' for best performance.

Chip antennas are attractive as they are compact and if used in accordance with the manufacturer's specifications can provide very good performance.

The Internet can provide much useful information on the design of Short Range Device (SRD) Antennas.

Please Note: To meet US FCC requirements the modules must be used with the specified antennas (TBA) that were used for testing. Please refer to FCC documentation as available.

easyRadio eRIC/eRA Configuration Command Set

Key operating parameters of most easyRadio modules can be changed and configured by sending the 'text' (ASCII character) commands detailed below. These commands can be executed using 'easyRadio Companion' software, any 'Terminal' software operating on a PC or from the host microcontroller.

The commands should be sent exactly as shown: i.e. case sensitive with no spaces between characters. Commands are not executed until the Acknowledgement sequence (ACK) is sent to and processed by the module.

To send the commands follow this procedure:

- Send Command from host: e.g. ER_CMD#U5 (Set UART BAUD to 38400)
- Wait for the completion of the echo of the Command from the module. e.g. ER_CMD#U5
- Send the ACK command as the three upper case ASCII characters 'A' 'C' 'K' in sequence with no spaces
- If enabled, from version 4.1.16 the module can reply with 'OK' to indicate correct modification of parameters.
- Commands ending with '?' of 9-character length do not require any ACK.
- Some special commands (noted below) do require an ACK

Host Serial Communication Settings				
Command	UART Data Rate	✓	Tick Indicates Factory Default setting	
ER_CMD#U1	2400			
ER_CMD#U2	4800			
ER_CMD#U3	9600			
ER_CMD#U4	19200	✓	Default	
ER_CMD#U5	38400			
ER_CMD#U6	31250		MIDI - Musical Instrument Digital Interface (Not supported by PC UARTS)	
ER_CMD#U7	76800		(Not supported by PC UARTS)	
ER_CMD#U8	115200			
ER_CMD#U?	Get UART Value		The module replies with the current UART data rate value E.g: ER_CMD#U2 - No 'ACK' is required	
ER_CMD#A70	No Parity	✓	Data = 1 Start, 8 Data, No Parity, 1 Stop	
ER_CMD#A71	Even Parity		Data = 1 Start, 8 Data, 1 Parity, 1 Stop	
ER_CMD#A72	Odd Parity		Data = 1 Start, 8 Data, 1 Parity, 1 Stop	
Transmit RF Power Output Settings				
				eRIC-LoRa All frequencies
				Units MHz
ER_CMD#P0			All frequencies from version 4.1.16 and above, use a single table. Maximum limits for the band can be capped using the new W (World Regulations) Command. The default W setting is unrestricted and the user is responsible to comply with local laws.	-1
ER_CMD#P1				1
ER_CMD#P2				3
ER_CMD#P3				5
ER_CMD#P4				7
ER_CMD#P5				9
ER_CMD#P6				11
ER_CMD#P7				13
ER_CMD#P8				15
ER_CMD#P9		✓		17
			N.B. RF Power Output conforms with and is restricted by EU & US regulations +17dBm selectable firmware/frequency dependent	
ER_CMD#P?	Get Power Value		The module replies with the current power value. e.g: ER_CMD#P9 - No ACK is required.	
RF Channel Settings				
ER_CMD#Cx	Where x = Channel Number in decimal		E.g. For Channel 1: ER_CMD#C1 or ER_CMD#C01 (leading zero) Value saved in non-volatile EEPROM	
ER_CMD#C?	Get Channel Value		The module replies with the current channel setting E.g: ER_CMD#C0 - No ACK is required.	

Signal Bandwidth							
			Bandwidth		Data Rate @ S/F = 10		
ER_CMD#B0	Set Signal Bandwidth		125	kHz	977	bps	
ER_CMD#B1	Default 4.1.16+	✓	250	kHz	1953	bps	
ER_CMD#B2			500	kHz	3906	bps	
Band Plan							
ER_CMD#b0	EU	✓	869.850		MHz		
ER_CMD#b1	USA		903.000		MHz		
ER_CMD#b6	Custom Setting		903.000		MHz		
ER_CMD#b?	Get current Band Plan						
After sending any of these commands the Channel number will be reset to Channel 0							
Band base/start frequency Europe/ USA b6 user configurable using absolute frequency settings.							
Frequency Settings							
ER_CMD#F	Set Absolute Frequency		Sets the absolute frequency to xxxxxxxx in Hex E.g. ER_CMD#F33D8DB90 sets the radio frequency to 869850000Hz. This will automatically set Band Plan to b6			Frequency of Channel 0	
ER_CMD#F?	Get current Frequency value		Returns the current frequency value as 8 bytes of Hex E.g. ER_CMD#F? Returns 33D8DB90 which is 869850000MHz			Frequency of Channel 0	
Spreading Factor							
	S/F	Chips	Bandwidth kHz			Data Rate	
			125	250 ✓	500		
ER_CMD#s0	6	64	9375	18750	37500	bps	
ER_CMD#s1	7	128	5469	10938	21875	bps	
ER_CMD#s2	8	256	3125	6250	12500	bps	
ER_CMD#s3	9	512	1758	3516	7031	bps	
ER_CMD#s4	10	1024	✓	977	1953	3906	bps
ER_CMD#s5	11	2048	537	1074	2148	bps	
ER_CMD#s6	12	4096	N/A	586	1171	bps	
S/F 12 at 125kHz not supported at this time							
Miscellaneous							
ER_CMD#R0	Reset Module (POR)		Reset module, retrieve and restore all Power On Reset values				
ER_CMD#R1	Reset to Defaults		Restores all factory default settings (Applies to V4.1.16 and above)				
ER_CMD#A10	Encryption Off	✓	LPRS Proprietary Encryption for P2P				
ER_CMD#A11	Encryption On						
ER_CMD#A50	Handshaking Off	✓	Host Ready (RTS) on pin 5 and Busy (CTS) on pin 2 function				
ER_CMD#A51	Handshaking On						
ER_CMD#a00	RSSI Off	✓	Received Signal Strength Indicator				
ER_CMD#a01	RSSI On		Each received packet delivered is preceded by the 8 bit RSSI value of the received packet				
ER_CMD#a40	'OK' Confirmation Disabled	✓	When enabled, the transceiver will reply 'OK' following the confirmation 'ACK' from the host.				
ER_CMD#a41	'OK' Confirmation Enabled						
ER_CMD#a50	Pin17 Disable Sleep mode	✓	When enabled Pin17 must be held low for normal operation. Setting the pin high puts the transceiver and MCU into sleep mode consuming only 15uA.				
ER_CMD#a51	Pin17 Enable Sleep mode						
ER_CMD#S0	Sleep Command		Prior to sending this command, set pin 5 High. Following the ACK the current will drop to < 20uA. Pull pin 5 Low to wake from Sleep. (This is unrelated to Pin17 Sleep Pin Function) It takes approximately 200uS to enter Sleep and approximately 6mS to wake from Sleep.				
Test Modes							
ER_CMD#T3	Get Firmware Revision		Returns module firmware revision string E.g. ERIC-LORA V4.1.16				
ER_CMD#T4	RAW Data Out		Output the received data on the CTS pin				

ER_CMD#T7	Read on-chip temperature Sensor		Example reply: -15°C or 23°C (This is decimal value in Celsius)
ER_CMD#T7xx	Calibrate on-chip temperature sensor		xx = Actual Temp (only calibrate when above 0 degrees)
ER_CMD#T8	Last Packet RSSI		Returns the Hex value of the RSSI (Received Signal Strength Indicator) register measured on the last valid packet received
Other Special Commands			
ER_CMD#L8?	Get Serial Number		Returns the unique four byte module serial number in Hex. E.g. 40 00 00 56 ACK required
Worldwide Regulations (Firmware Versions 4.1.16+)			
ER_CMD#W0		✓	Default – No RF Power output restrictions
ER_CMD#W1			EU Regulation Band Restrictions
ER_CMD#W2			USA FCC Restrictions
ER_CMD#W?			Read the current setting
Group ID Setting			
ER_CMD#N0xxxx	Enable Group ID	✓	E.g. ER_CMD#N04578 sets the group ID as 0x4578
ER_CMD#N00000	Disable Group ID		See Notes on Group ID number assignment below
ER_CMD#N0?	Get Group ID		Returns the 4 byte Group ID number in Hex. Requires ACK
Encryption Key			
ER_CMD#N1xxxx	Set Encryption Key		e.g. ER_CMD#N121F5 = set Encryption Key to 0x21F5
			There is no method to read the Encryption Key for security purposes.

Reserved LoRa Group ID number assignments.

12xx Reserved for standard LoRa communications
 34xx Reserved for LoRaWAN communications
 00xx and FFxx will default to 12xx

When Group ID's are different to the above reserved values, data is automatically encrypted using LPRS proprietary encryption using the encryption key stored in memory (Default 0000).
 Group ID's can also be modified to increase security to the Key as it is used in the calculation creating a 32-bit seed.

Channel Frequencies

Each channel frequency is calculated relative to the Start Frequency of the channel, the Channel Number and the Channel Spacing/Band width.

Three commands control the values of each of these parameters:

ER_CMD#bn	Where n is the Start Frequency in MHz of the Band Plan being used	b
ER_CMD#Cn	Where n is the integer Channel Number	c
ER_CMD#Bn	Where n is the Channel Spacing/Bandwidth in kHz	s

The centre frequency of each channel is calculated using the formula:

$$\text{Centre Frequency (f)} = b + cs + \frac{s}{2}$$

Where

Band plan Start Frequency
Channel Number
Channel Spacing/Bandwidth

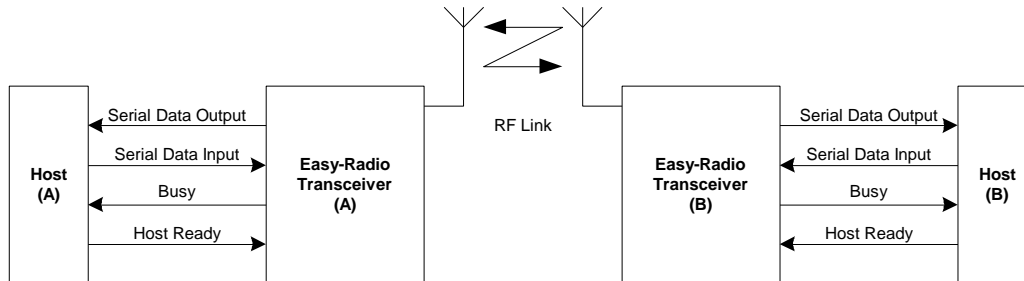
Example

b = 0
c = 1
s = 500kHz

$$f = 903.000\text{MHz} + 1 \times 500\text{kHz} + 500\text{kHz}/2 = \mathbf{903.750\text{MHz}}$$

Application & Operation of eRIC-LoRa Transceiver

The diagram below shows a typical system block diagram comprising hosts (user's application) connected to easyRadio transceivers. The hosts (A & B) will be monitoring (collecting data) and/or controlling (sending data) to some real world application.



Typical System Block Diagram

The hosts provide serial data input and output lines and two 'handshaking' lines that control the flow of data to and from the easyRadio Transceivers. The 'Busy' output line, when active, indicates that the transceiver is undertaking an internal task and is not ready to receive serial data. The 'Host Ready' input is used to indicate that the host is ready to receive the data held in the buffer of the easyRadio Transceiver.

The host should check before sending data that the 'Busy' line is not high, as this would indicate that the transceiver is unable to reliably receive further data. It should also pull the 'Host Ready' line low and check that no data appears on the Serial Data Output line.

The Busy output is active all the time regardless of handshaking setting. The host Ready is enabled by the handshaking setting command.

Timing Specifications		Units	Notes
Host Serial Input/Output	2400, 4800, 9600, 19200, 38400, 31250 (MIDI), 76800 & 115200	baud	1
Host Character Format	1 Start, 8 Data, No Parity, 1 Stop	Bits	2
End of Data Delay	2 x BAUD Byte Duration	mS	3
RF Transmit duration	Depends on Bandwidth and data rate setting	mS	4
Buffer Size	180	Bytes	5

Notes

1. Data is inverted i.e. Start Bit is logic low. The inputs are intended for direct connection to a microcontroller UART or to RS232 inputs and outputs via an RS232 Level translator such as a Maxim MAX232, which invert the logic of the RS232 signals. This allows direct connection to, for example a microcontroller UART. The data rate is user programmable (Default 19200 baud) and may differ between individual units within a system.
2. 1 start, 8 data, 1 stop = 10 bits @ 104uS/bit = 0.52mS/character at 19200 Baud. (Default)
3. The 'End of Data' delay is fixed at twice the character time.
4. A fixed package overhead of xx is added to all packets.
5. The buffer size is limited to 180 bytes. Sending more than 180 bytes will cause loss of data.
6. CTS pin will go high 2 bytes before the buffer is full. This allows characters already sent to be accepted by the ER module.

Product Order Code

Name	Description	Order Code
eRIC-LoRa	CE/FCC/IC Certified Radio Module	ERIC-LORA

Please contact the sales office for availability of other variants of the standard product. The software interface can be customised to specific requirements for high volume applications.

easyRadio Advanced Firmware Versions

Version	Date	Revision	Known Issues
4.1.11	January 2016	Initial Release	Temperature sensor not functioning Odd/Even Parity not working properly
4.1.16	March 2018		Odd/Even Parity not working properly

Document History

Issue	Date	Revision
0.1	February 2017	Provisional datasheet
0.2	May 2017	Minor corrections
1.0	May 2017	Release
1.1	June 2017	Typo corrections
1.2	November 2017	Clarification of Min / Max operating frequency
1.31	January 2018	Corrections and clarifications
1.32	February 2018	Corrections and amendments

Changes to this Document This data sheet has been updated to reflect changes throughout the range of LPRS modules. Specific changes are recorded in the documentation history above.
Copyright See: www.lprs.co.uk
Disclaimer See: www.lprs.co.uk
Terms and Conditions of Use See: www.lprs.co.uk
Contact Information For further information or technical assistance please contact: