

Product Overview

eRIC Series



Interchangeable ISM / LPWAN Modules

What is the eRIC Series?

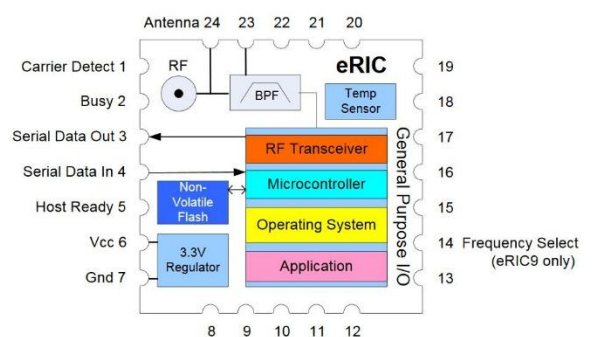
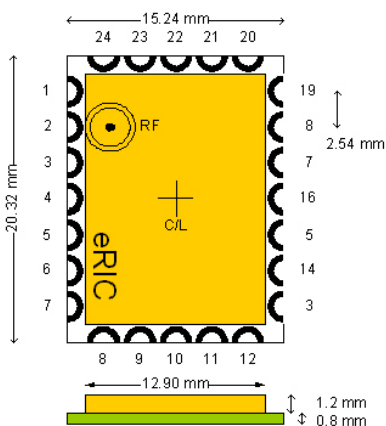
The eRIC (easyRadio Integrated Controller) series from LPRS (Low Power Radio Solutions) is a family of low power, license-free radio modules with a common form factor. Sharing the same pin-out and surface mount layout, eRIC enables engineers to design once and benefit from the interchangeable integration of easyRadio, Sigfox and LoRa™ technologies.

At a compact 15mm x 20mm x 2.2mm, eRIC modules are designed for Low Power Wide Area Network (LPWAN) & ISM (Industrial, Scientific & Medical) radio applications requiring reliable and secure wireless communications.

Product Range

Device	Package	Frequency	Technology	Antenna
eRIC4	SMD	433MHz	eROS	u.FL & Pad
eRIC9	SMD	868/915MHz	eROS	u.FL & Pad
eRIC-SIGFOX	SMD	868MHz	SIGFOX	u.FL & Pad
eRIC-LoRa*	SMD	868MHz	LoRa (P2P) LoRaWAN	u.FL & Pad

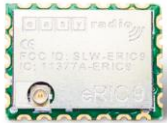

\* Due for Production Q1 2017



### Specifications

Category	Feature	Specification
<b>Wireless Types</b>	eROS Point-to-Point	eRIC4 (433MHz - Europe)
	eROS Point-to-Point	eRIC9 (868MHz – Europe / 915MHz - USA)
	SIGFOX Network	eRIC-SIGFOX (868MHz – Europe)
	LoRa Point-to-Point	eRIC-LoRa (868MHz – Europe)
	LoRaWAN Network	eRIC-LoRaWAN (868MHz – Europe)
<b>Electrical</b>	Supply voltage	2.5V - 5.0V.
	TX Current @ + 10dBm	32mA
	RX Current	15mA
	Sleep Current	1.8uA
	Max Output Power	Up-to +20 dBm
<b>Radio</b>	Receive Sensitivity	-126 dBm (Sigfox) ~ -109dBm (eROS)
<b>Physical</b>	Size	15mm x 20mm x 2.2mm
	Weight	1.5 grams
<b>Environmental</b>	Operating Temperature	-40+85 Deg C
	Storage Temperature	-40+85 Deg C
<b>Regulatory</b>	Approvals	FCC / IC / CE / RED

### Ordering Information

<p><b>eRIC4</b>  <b>eRIC9</b>  <b>eRIC-SIGFOX</b>  <b>eRIC-LoRa</b></p>	<p>433MHz eROS Point-to-Point Radio module                  868/915MHz eROS Point-to-Point Radio module                  Sigfox 868MHz Radio Module                  LoRa/LoRaWAN 868/915MHz Radio module</p>	
<p><b>eR-EVK-01</b>                  (For eRIC4/9/LoRa)</p>	<p>LPRS EVK with eRIC Plug-In slot. GPS included for range testing</p> <ul style="list-style-type: none"> <li>- 1 x Battery powered GPS Board with eRIC Slot</li> <li>- 1 x Battery powered eRIC DVK board</li> <li>- 2 x Dipole antenna's</li> <li>- USB Cable's &amp; Batteries</li> </ul>	
<p><b>eRIC-SIGFOX-DK</b>                  (For eRIC-SIGFOX)</p>	<p>LPRS eRIC-DK, includes 3 month SIGFOX subscription</p> <ul style="list-style-type: none"> <li>- 1 x Battery powered eRIC DVK board</li> <li>- 1 x eRIC-SIGFOX radio module</li> <li>- 1 x Dipole antenna</li> <li>- USB Cable's &amp; Batteries</li> </ul>	