



Right-Angled SMA Connector

Gold Plated Right-Angled SMA Coaxial Connector

SMARACONNECTOR

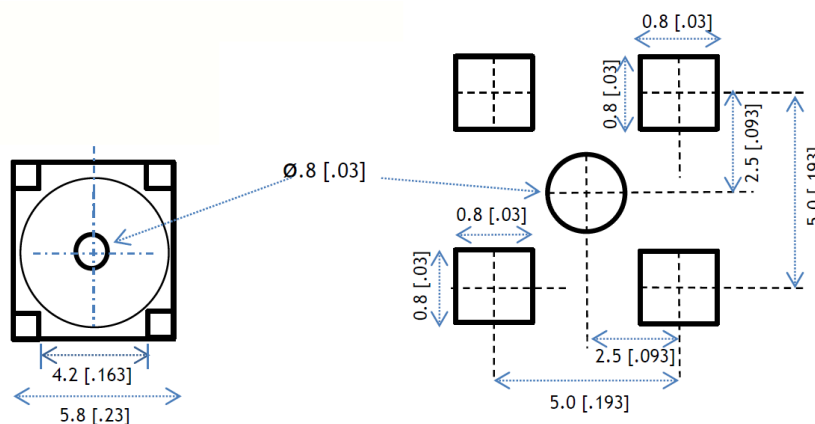
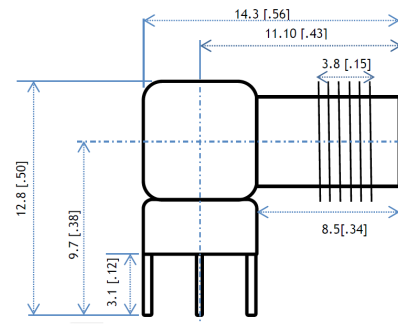
Product Overview

A right-angled SMA coaxial connector used for RF antennas.

Impedance: 50Ω.

Connector mounting: PCB mount.

RoHS compliant.



Dimensions in mm.

Product Order Code

Name	Description	Order Code
Right-Angled SMA Connector	Gold Plated Right-Angled SMA Coaxial Connector	SMARACONNECTOR

Versions

Version	Date	Revision
A.01.1	15/11/2012	Initial drawing release.

Copyright

See www.LPRS.co.uk for copyright statement.

Disclaimer

See www.LPRS.co.uk for disclaimer statement.

Terms & Conditions of Use

See www.LPRS.co.uk for Terms and Conditions of Use statement.

Contact Information

For further information please visit www.lprs.co.uk or call +44 (0) 1993 709418.

