

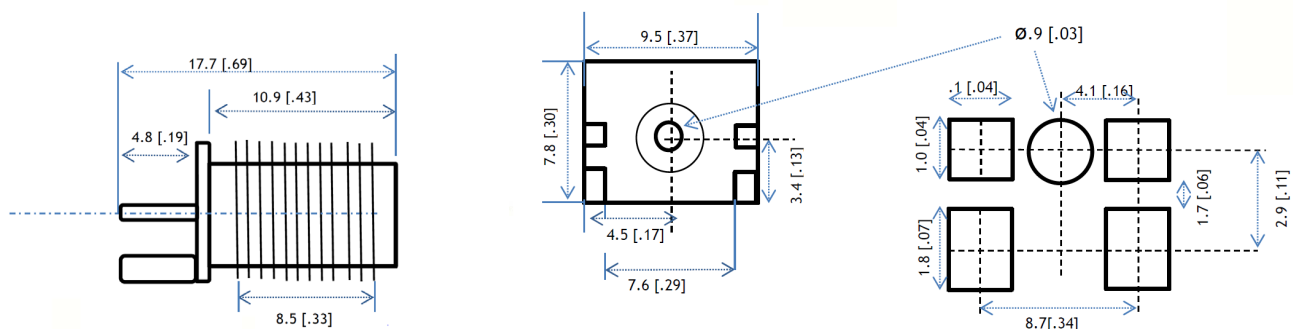
Square SMA Jack End Connector

10.9mm Gold Plated SMA Jack End Connector

SMAENDBLKHD-JK

Product Overview

An RF coaxial connector designed for efficient mounting to printed circuit boards. It features SMA edge mount end launchers, a gold plated brass body with gold contacts, an impedance of 50Ω and is ROHS compliant.



Dimensions in mm.

Product Order Code

Name	Description	Order Code
SMA Jack Connector	Gold Plated SMA End Jack	SMAENDBLKHD-JK

Versions

Version	Date	Revision
A.01.1	15/11/2012	Initial drawing release SMA End Jack.
A.01.2	17/05/2013	Measurements and PCB image added.

Copyright

See www.LPRS.co.uk for copyright statement.

Disclaimer

See www.LPRS.co.uk for disclaimer statement.

Terms & Conditions of Use

See www.LPRS.co.uk for Terms and Conditions of Use statement.

Contact Information

For further information please visit www.lprs.co.uk or call +44 (0) 1993 709418.

