



LPWAN, LTE, WIFI ANTENNA

LPWAN, SIGFOX, LoRaWAN, LTE, WiFi combination Antenna

LPRS-ANT-LTE-WIFI-2

Product Overview

IP67 rated antenna for portable and fixed applications requiring compact size.

This antenna has multiple frequency capabilities ideal for wireless networks, LPWAN, SIGFOX, LoRaWAN, LTE and WiFi. All in a rugged IP67 rated case (excluding the RG174 cable and SMA connectors).

Product Specifications

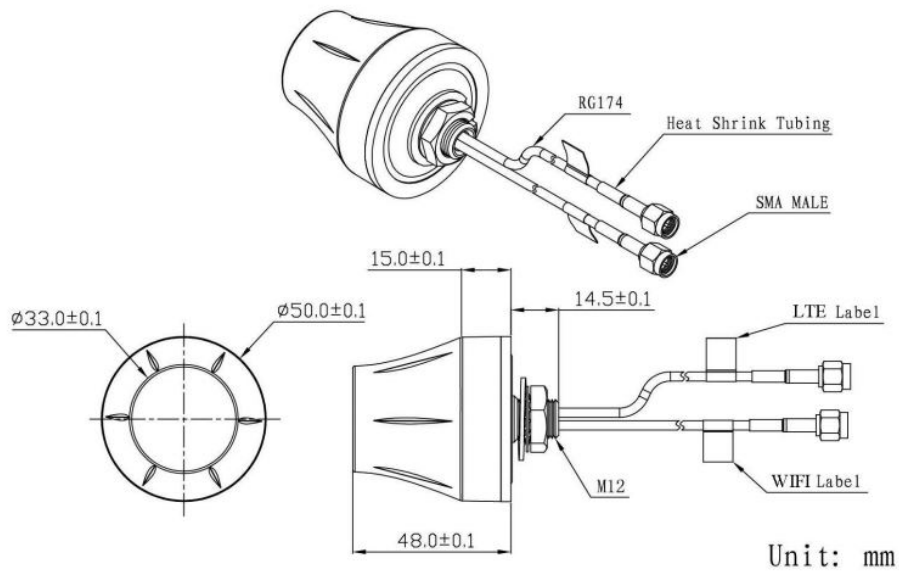
Features
 Linear polarisation.
 Multiple frequencies.
 IP67 Rated.

Electrical Specifications
 Frequency range:
 LTE: 824-960MHz/1710-2655MHz.
 WiFi: 2400-2483MHz
 Nominal impedance: 50Ω.
 Maximum input power: 50W.
 Gain: LTE 2dBi. WiFi 3dBi.
 VSWR: ≤2.0.

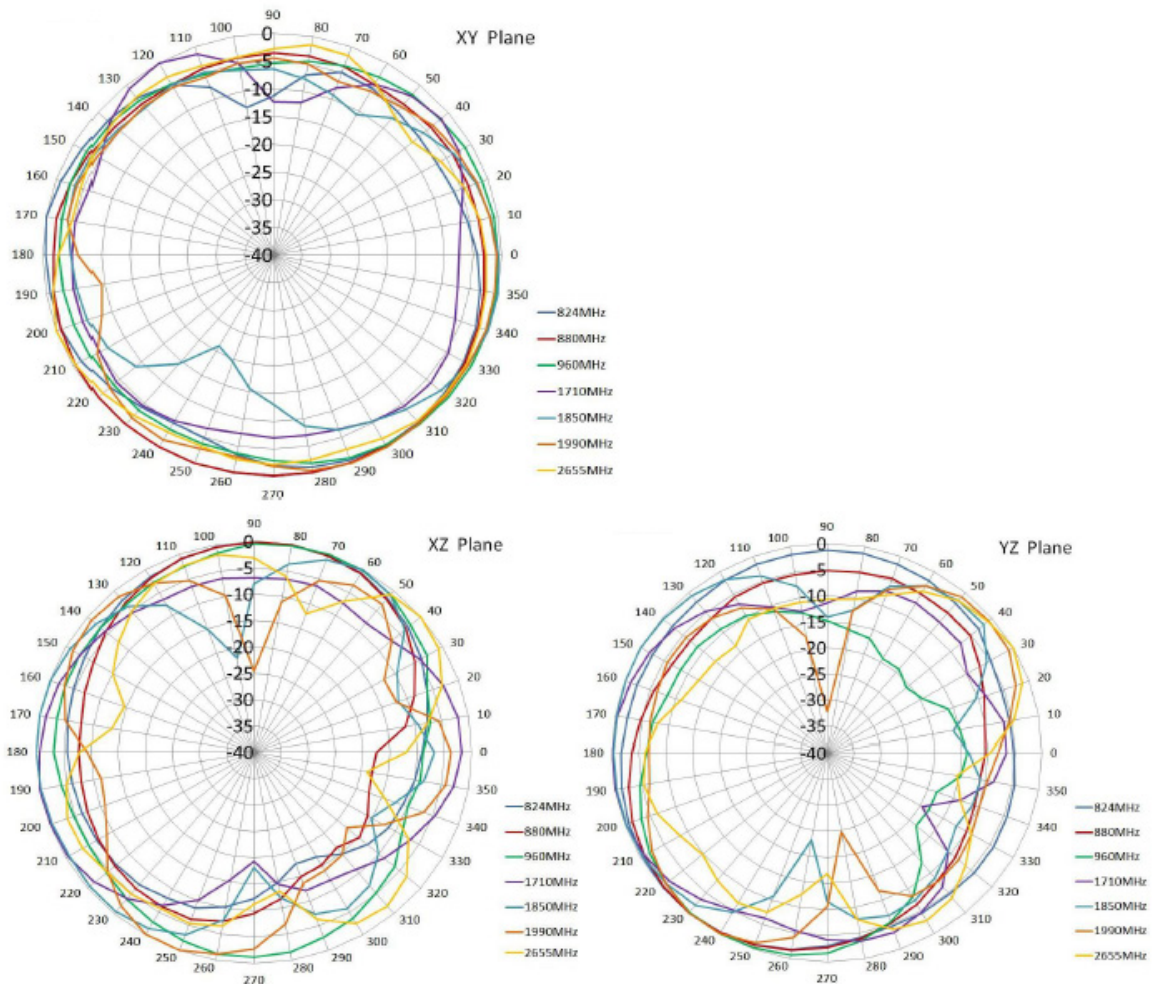
Mechanical Specifications
 Connectors: SMA male straight.
 Dimensions: See page 2.
 Weight: TBC.
 Ambient temperature: -40°C to 85°C.
 Material: ABS.
 Cable: RG174.
 Mounting: Screw type.

Applications
 This antenna is suitable for portable & fixed applications that require rugged multiple frequency communications.

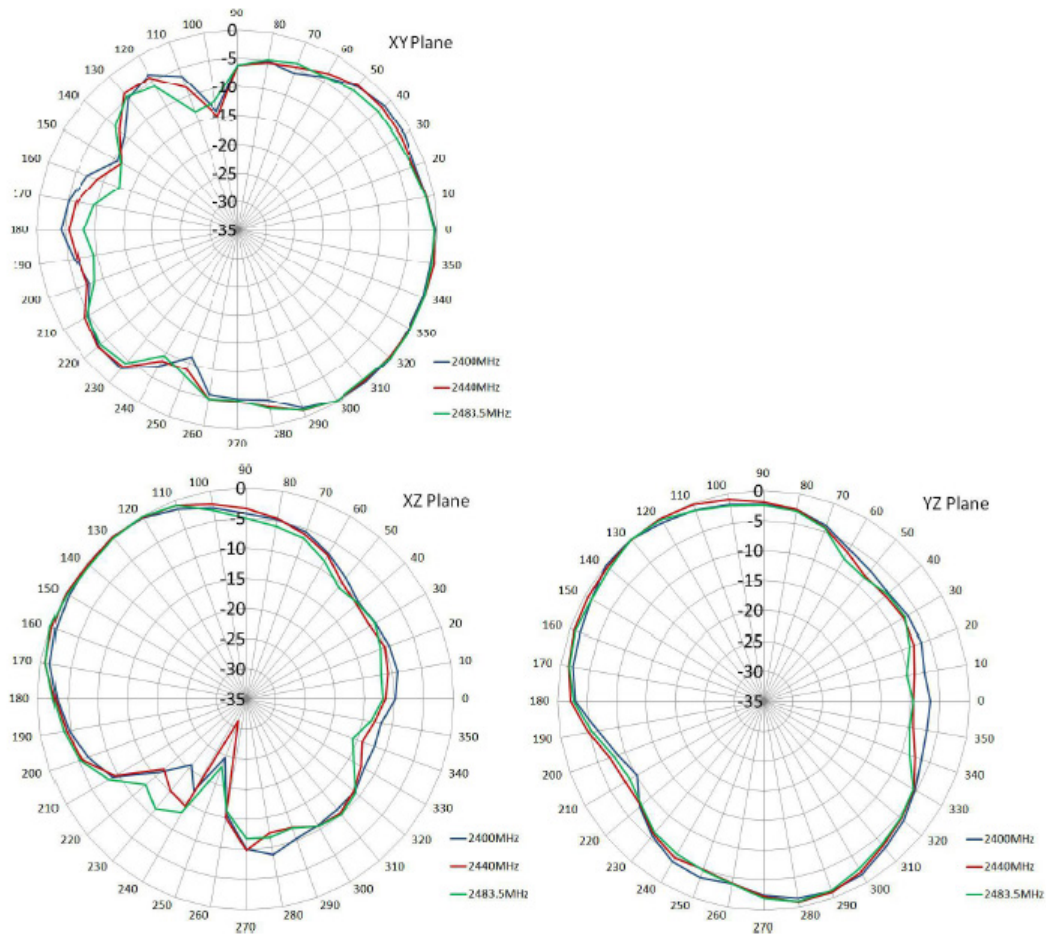
Dimensions



LTE Antenna



WiFi Antenna



Product Order Code

Name	Description	Order Code
LTE, WiFi Combination Antenna	LTE and WiFi Antenna with two RG174 SMA cables	LPRS-ANT-LTE-WIFI-2

Accessories

Description	Order Code
PCB Mount SMA Connector	SMACONNECTOR
Right Angled PCB Mount SMA Connector	SMARACONNECTOR
SMA Bulkhead Jack	SMAENDBLKHD-JK

Copyright

See www.LPRS.co.uk for copyright statement.

Disclaimer

See www.LPRS.co.uk for disclaimer statement.

Terms & Conditions of Use

See www.LPRS.co.uk for Terms and Conditions of Use statement.

Contact Information

For further information please visit www.lprs.co.uk or call +44 (0) 1993 709418.

